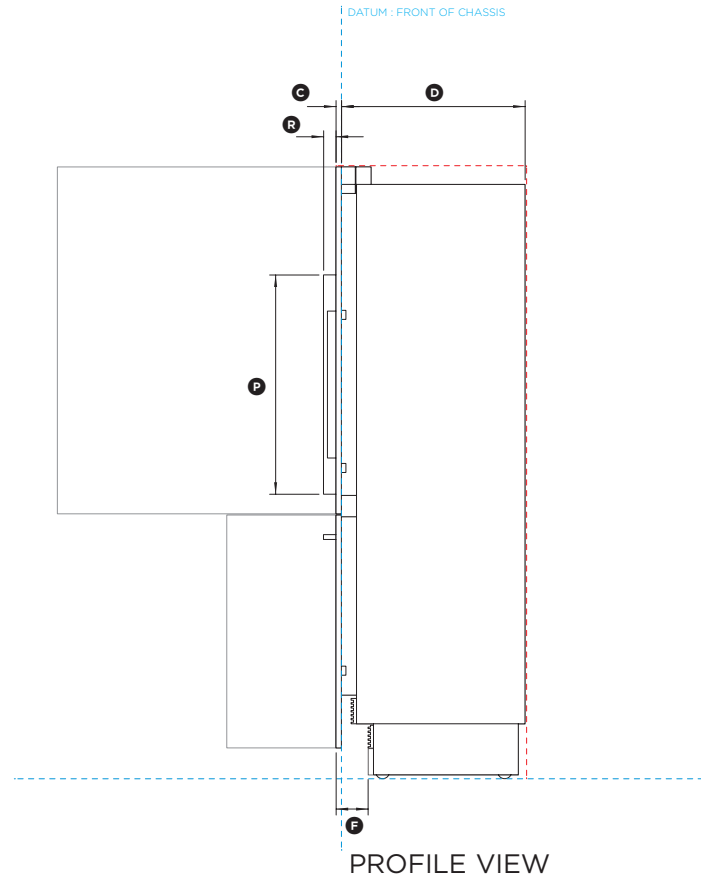
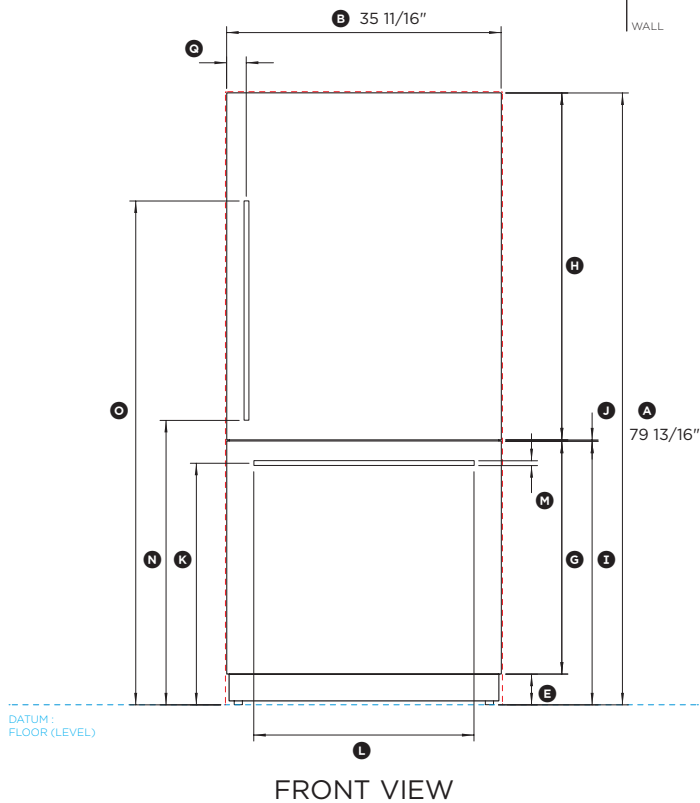
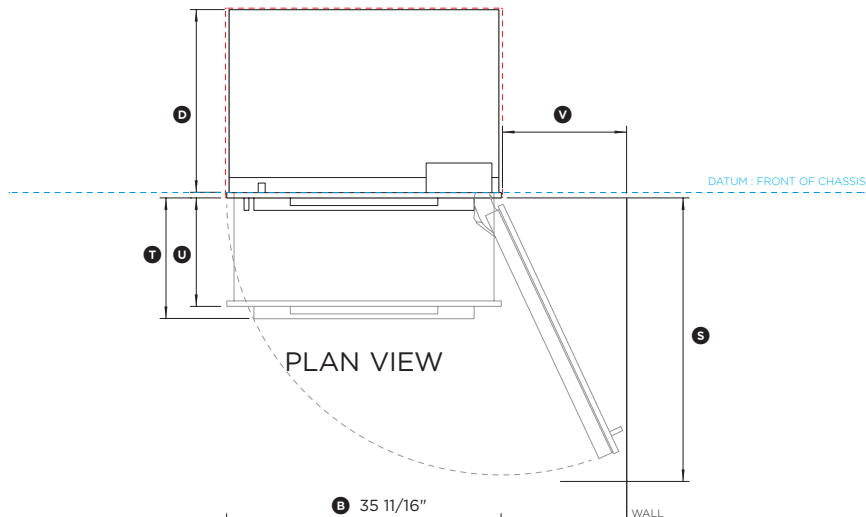


# FISHER & PAYKEL

## DATA SHEET 36" ActiveSmart Built-In Fridge



Model no:

**RS36W80RJ1 (with Stainless Door panels PART NO. RD3680R)**  
**RS36W80LJ1 (with Stainless Door panels PART NO. RD3680L)**

Note: Left hand hinge model is a mirrored version of image shown.  
(refer page 2 for metric measurements)

Product Dimensions	in
Ⓐ Overall height of fridge	79 13/16"
Ⓑ Overall width of fridge	35 11/16"
Ⓒ Depth of fridge front panels (excl. handles)	3/4"
Ⓓ Overall depth of fridge (excl. front door panels)	23 7/8"
Ⓔ Height from bottom datum to top of toekick	4"
Ⓕ Depth of toekick measured from front of door	2 13/16" - 4"
Ⓖ Height of bottom drawer panel	30 3/8"
Ⓗ Height of top door panels	45 1/4"
Ⓘ Height from bottom datum to top of drawer panel	34 7/16"
Ⓛ Gap between top and bottom door panels	5/32"
Ⓜ Height from bottom datum to centre of bottom handle	31 9/16"
Ⓝ Width of bottom handle	28 5/8"
Ⓞ Thickness of handles	5/8"
Ⓟ Height from bottom datum to bottom of top handle	37 1/8"
Ⓠ Height from bottom datum to top of top handle	65 3/4"
Ⓡ Height of top handle	28 5/8"
Ⓢ Distance from side of fridge to the centre of top handle	2 9/16"
Ⓣ Depth of handle (measured from front of door)	1 5/8"
Ⓤ Depth of door (widest opening) measured from front of door	37"
Ⓡ Depth of drawer (open) measured from front of drawer, including handle	15 3/4"
Ⓢ Depth of drawer (open) measured from front of drawer, excluding handle	14 3/16"
Ⓣ Minimum door clearance to adjacent wall (115° - full internal access)	16 1/8"
<b>Clearance Dimensions</b>	<b>in</b>
Minimum cabinetry gap clearance from edge of product	5/32"
Overall height of cavity	80"
Overall width of cavity	36"
Overall minimum depth of cavity	24 3/4"

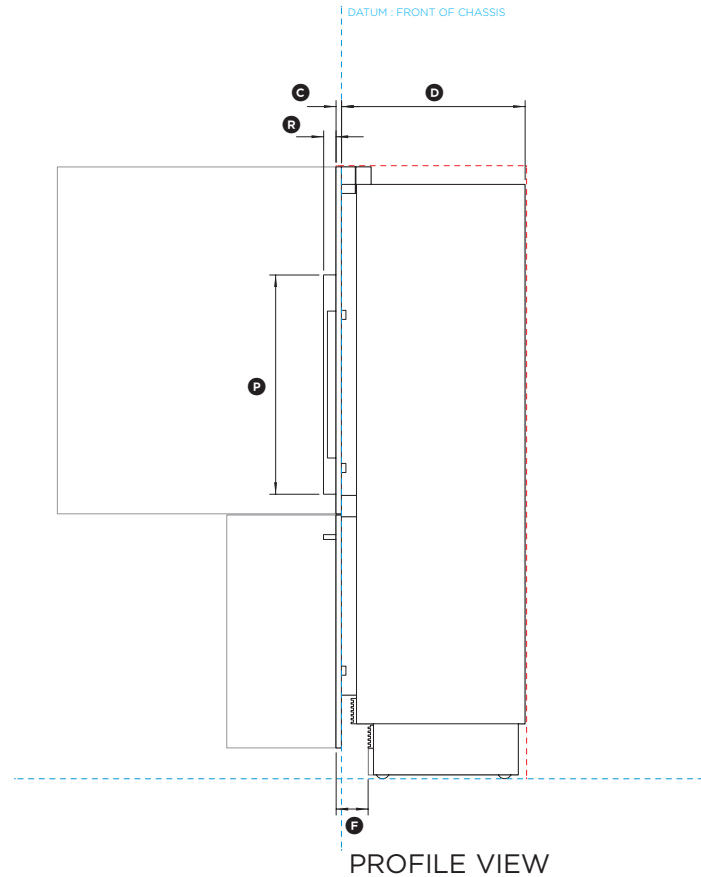
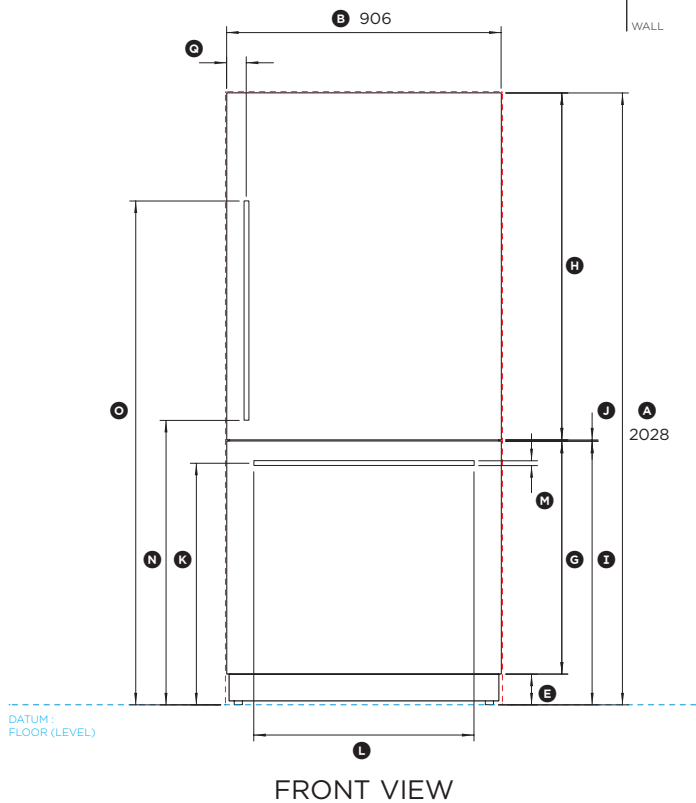
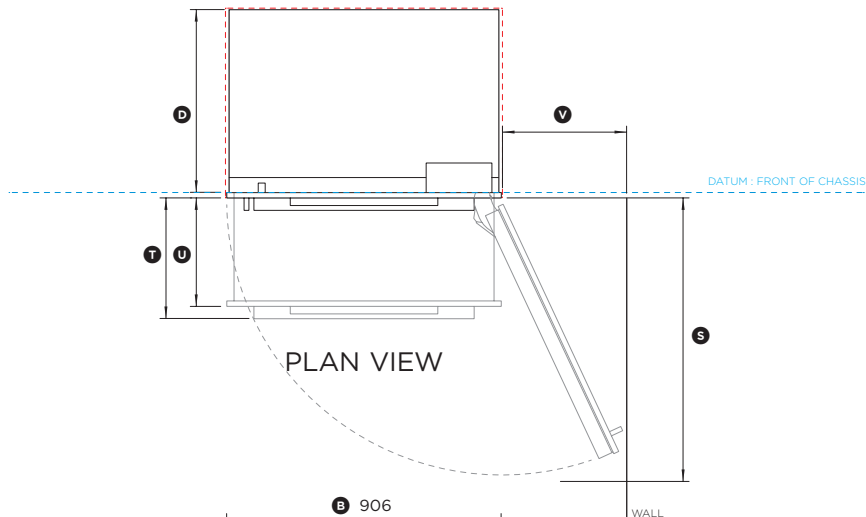
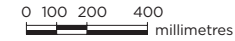
INDICATES CABINETRY / PRODUCT DATUM - - - - -  
INDICATES CABINETRY CLEARANCES - - - - -

DATE: 05.05.2017

IMPORTANT NOTE: Throughout this guide, dimensions may vary by ±2mm (1/16"). Please read the installation manual for detailed information on installing the product. For full installation instructions & specifications visit [fisherpaykel.com](http://fisherpaykel.com)

# FISHER & PAYKEL

## DATA SHEET 36" ActiveSmart Built-In Fridge



Model no:

**RS36W80RJ1 (with Stainless Door panels PART NO. RD3680R)**  
**RS36W80LJ1 (with Stainless Door panels PART NO. RD3680L)**

Note: Left hand hinge model is a mirrored version of image shown.  
(refer page 1 for imperial measurements)

Product Dimensions	mm
Ⓐ Overall height of fridge	2028
Ⓑ Overall width of fridge	906
Ⓒ Depth of fridge front panels (excl. handles)	19
Ⓓ Overall depth of fridge (excl. front door panels)	606
Ⓔ Height from bottom datum to top of toekick	102
Ⓕ Depth of toekick measured from front of door	71 - 101
Ⓖ Height of bottom drawer panel	772
Ⓗ Height of top door panels	1150
Ⓙ Height from bottom datum to top of drawer panel	874
Ⓚ Gap between top and bottom door panels	4
Ⓛ Height from bottom datum to centre of bottom handle	801
Ⓜ Width of bottom handle	727
Ⓝ Thickness of handles	16
Ⓞ Height from bottom datum to bottom of top handle	943
Ⓟ Height from bottom datum to top of top handle	1670
Ⓠ Height of top handle	727
Ⓡ Distance from side of fridge to the centre of top handle	65
Ⓢ Depth of handle (measured from front of door)	41
Ⓣ Depth of door (widest opening) measured from front of door	940
Ⓩ Depth of drawer (open) measured from front of drawer, including handle	400
ⓐ Depth of drawer (open) measured from front of drawer, excluding handle	360
ⓑ Minimum door clearance to adjacent wall (115° - full internal access)	410

Clearance Dimensions	mm
Minimum cabinetry gap clearance from edge of product	4
Overall height of cavity	2032
Overall width of cavity	914
Overall minimum depth of cavity	629

INDICATES CABINETRY / PRODUCT DATUM - - - - -  
INDICATES CABINETRY CLEARANCES - - - - -

DATE: 05.05.2017

IMPORTANT NOTE: Throughout this guide, dimensions may vary by ±2mm (1/16"). Please read the installation manual for detailed information on installing the product. For full installation instructions & specifications visit [fisherpaykel.com](http://fisherpaykel.com)